

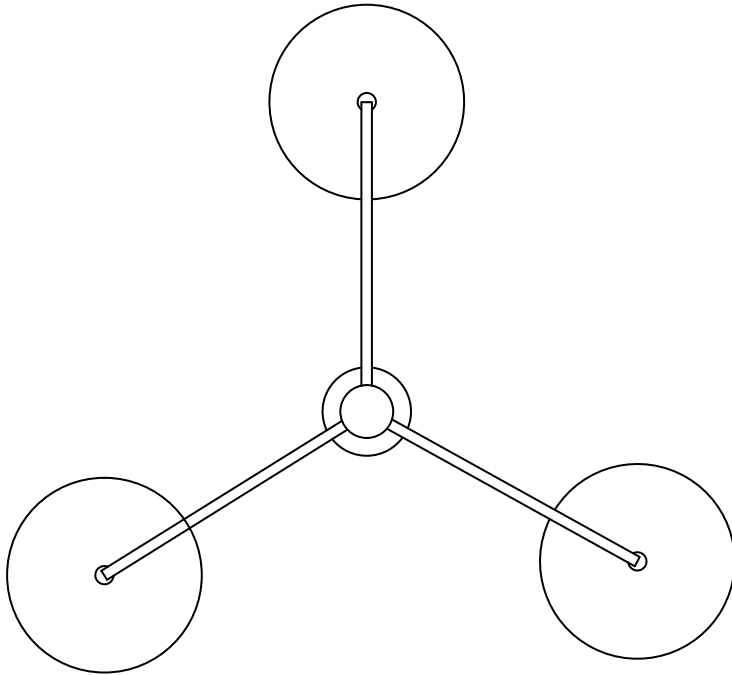
Nenuphar

Three arms

Pendant

450 mm • (17.71")

450 mm • (17.71")



finish option

epoxy black / satin brass

shade

opal mat glass

weight

ø kg • (ø lb)

bulb (included)

240V. G9 - 40W.

2700k - Dimmable

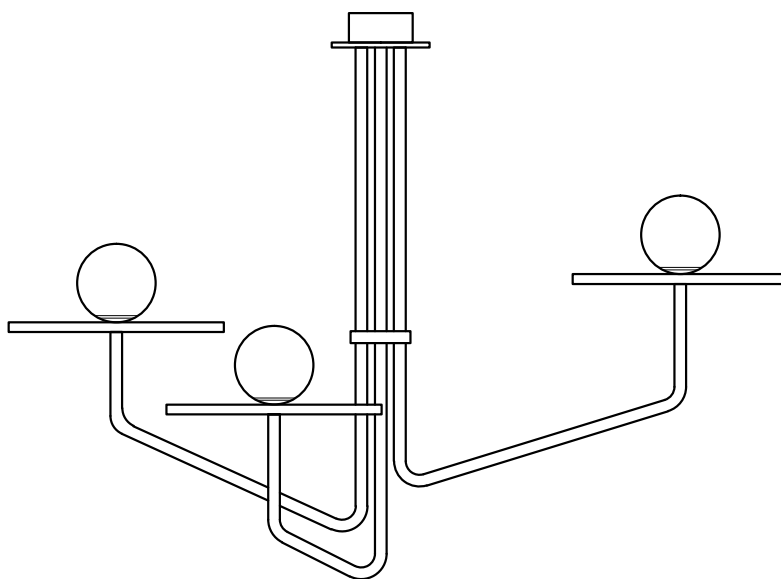
certification

IP20

Class II

CE

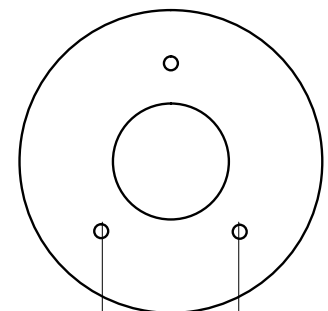
580 mm • (22.83")



Ceiling mount

dimensions

90 mm • (3.5")



65 mm • (2.5")

DANIEL GALLO

PARIS